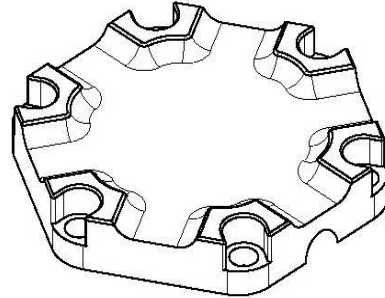
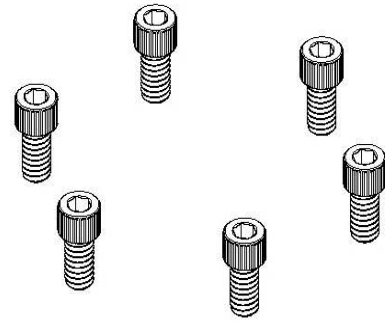


How to install a Permanent Roof Anchor

1. Remove components from box
2. Insure you have
 - a. 6 – ¼-20 cap screws
 - b. 1 – Lid
 - c. 2 – 5/16 – 3.5” Lag Bolts
 - d. 1- D-ring
 - e. 1 – base
 - f. Butyl adhesive



Additional Tools Needed

Power Drill

- To drill pilot holes and screw in lag bolts

3/16” drill Bit

- To pilot hole drill bit

½” socket (3/8” drive preferred)

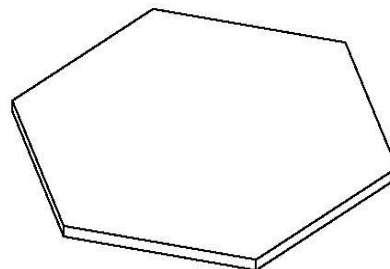
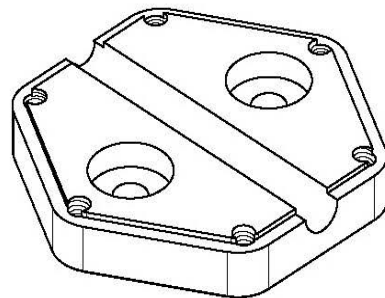
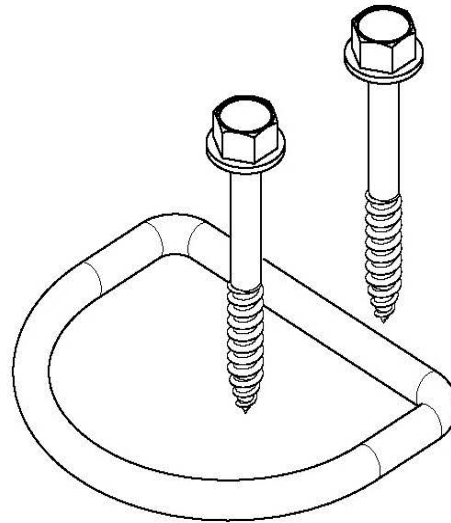
- For lag bolts

3/16” Alan wrench

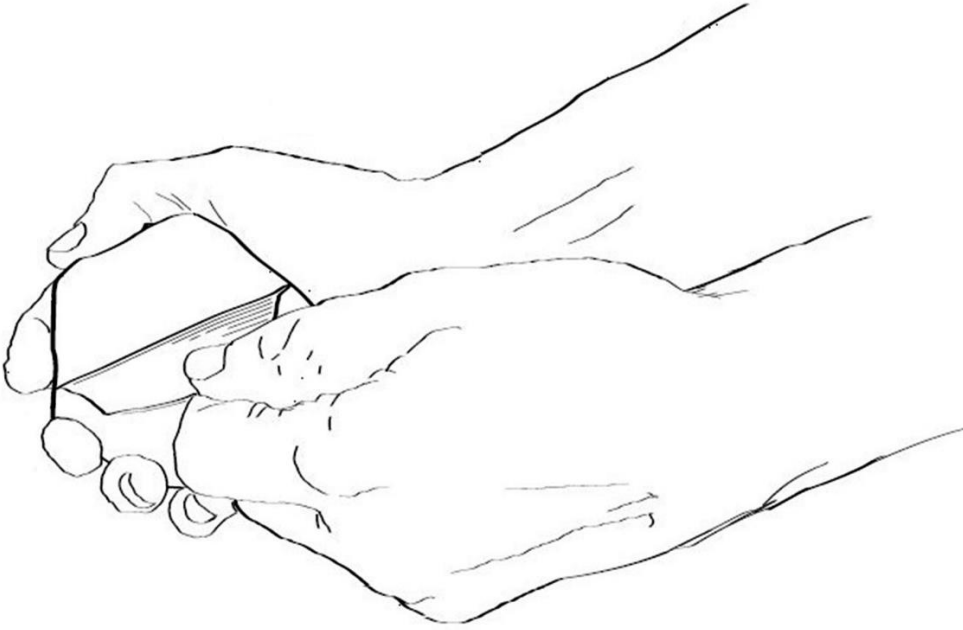
- impact attachment or hand held
- To tighten down cap screws

Fall Protection Gear

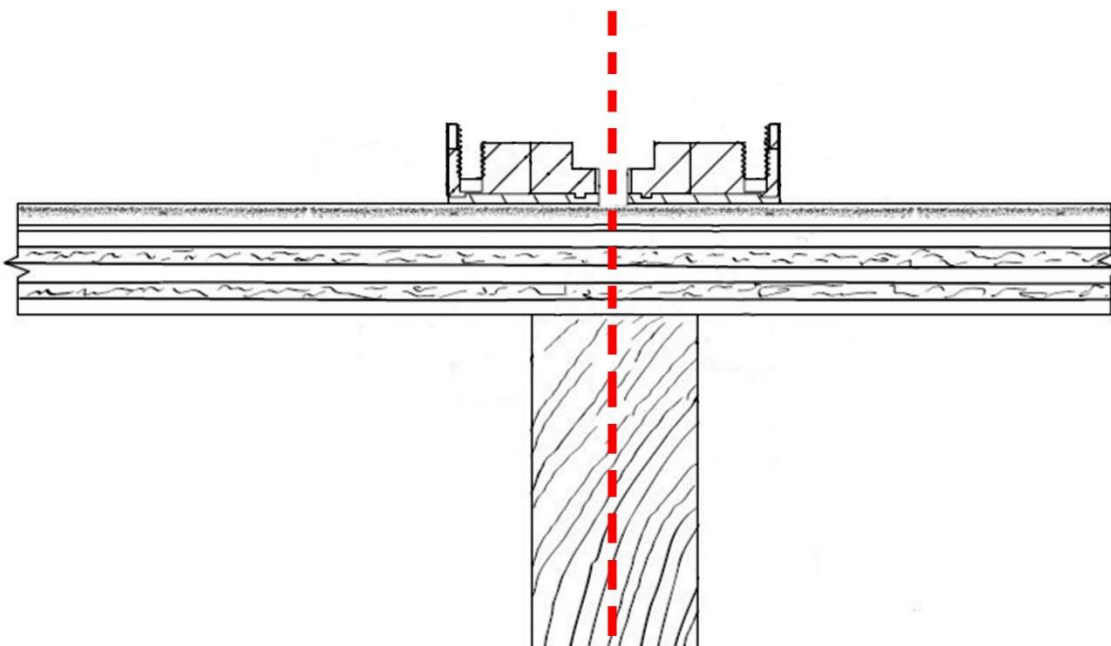
- To connect to the Permanent Roof Anchor



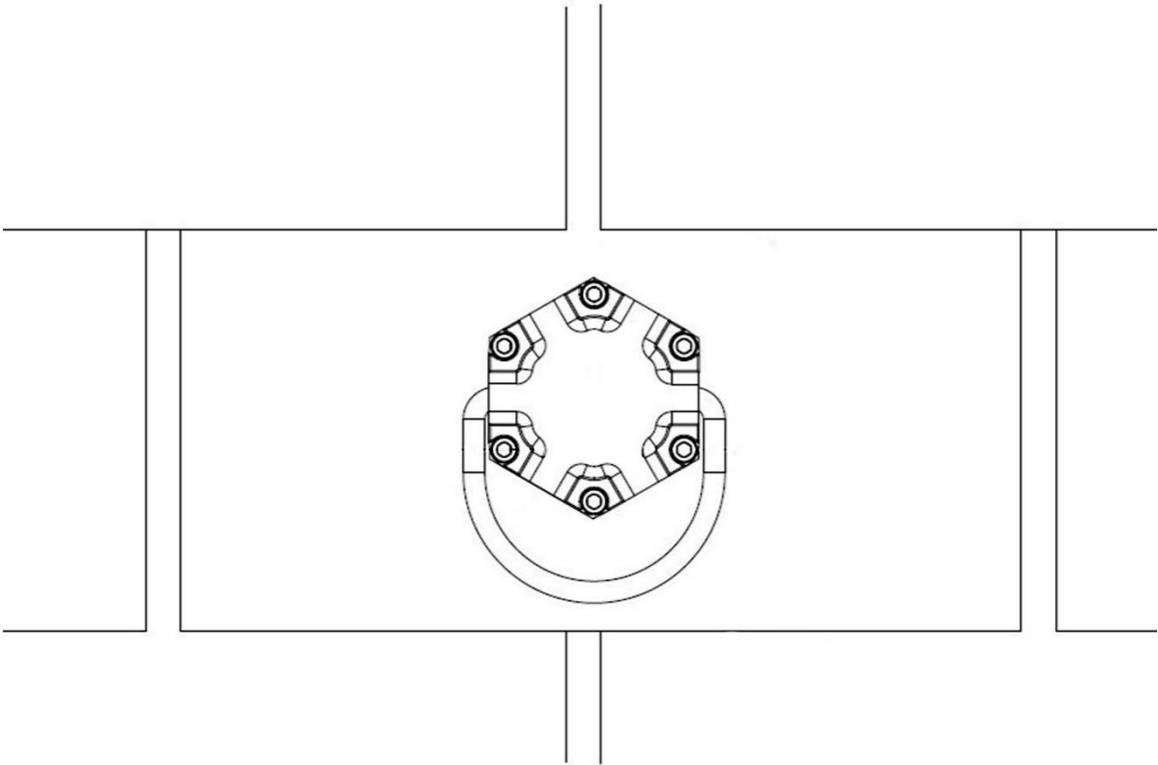
3. Insure roof structure is structurally sound
4. Find Roof Truss
 - a. Use a tool such as a Chiptoolz Rafter Stud Center Line Locator
5. Peel back sheet off Butyl prior to sticking to roof.



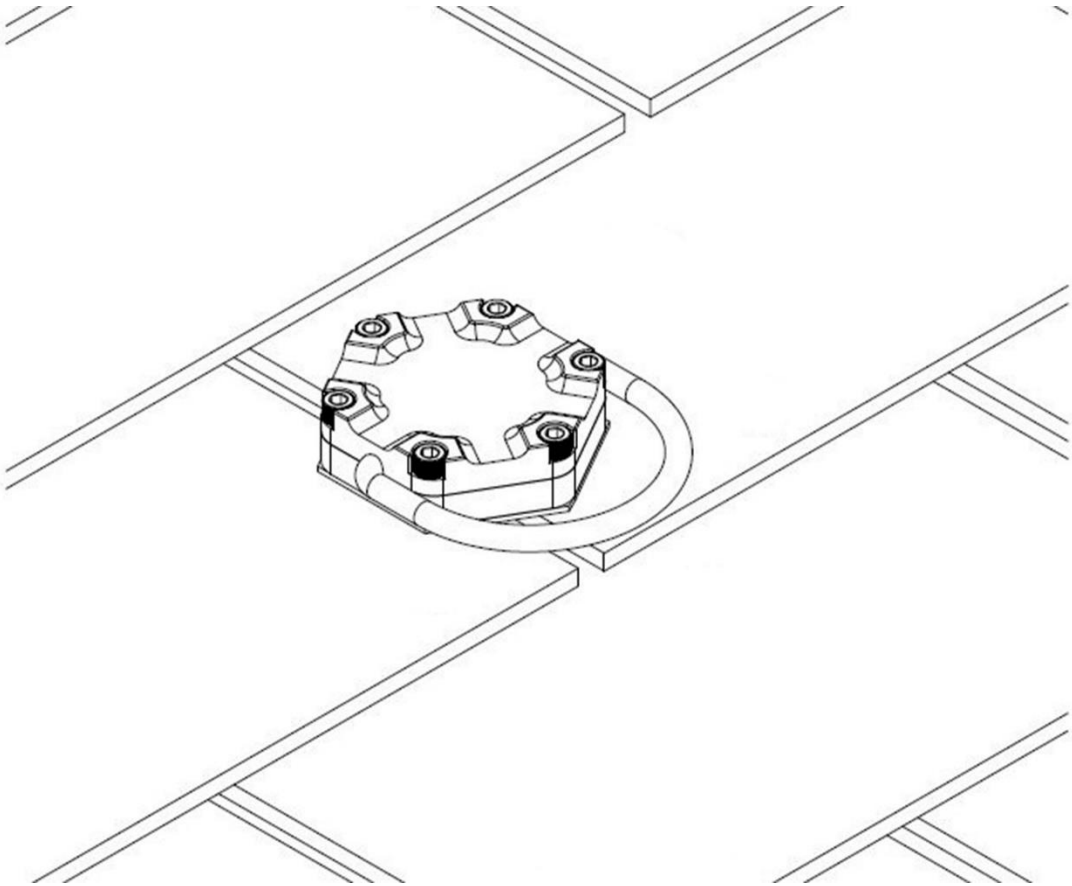
6. Stick Permanent Roof Anchor to roof with lag holes directly over the located truss



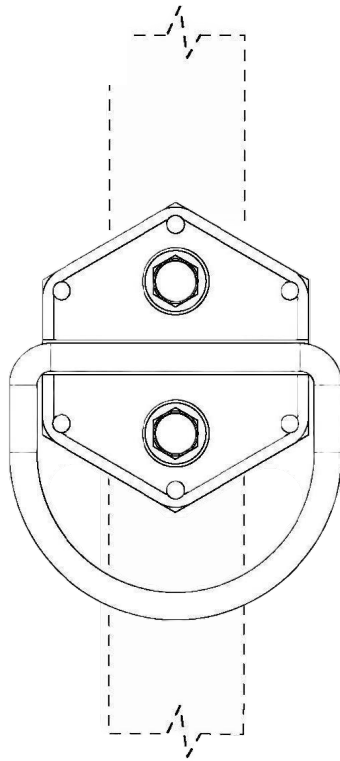
Do: Ensure that the permanent Roof anchor is placed within the outer edges of the shingle.



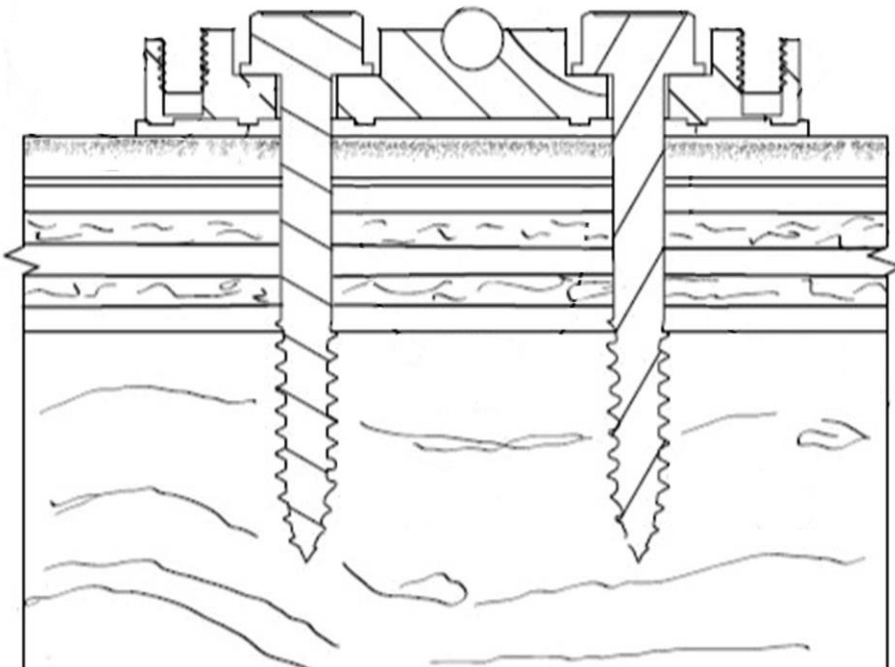
Do Not: Place Permanent Roof Anchor over the edge of the shingles



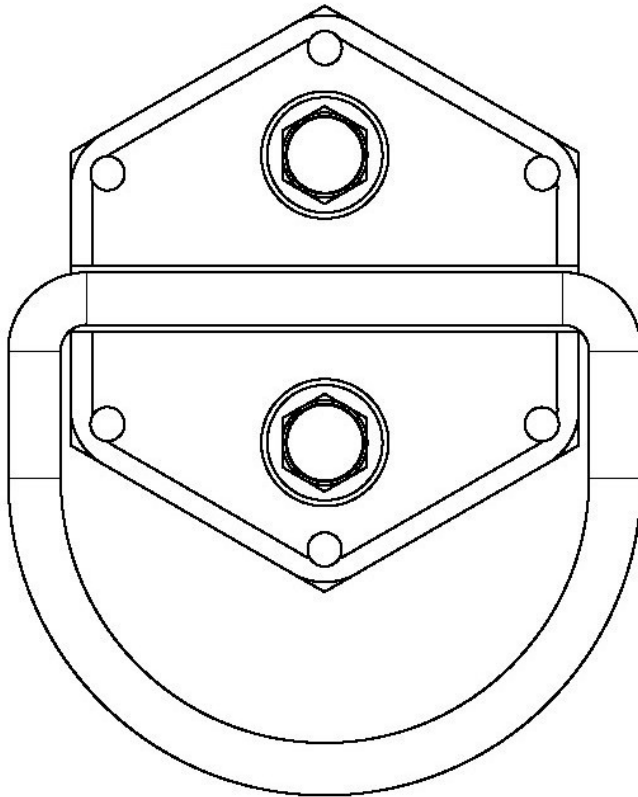
7. Pre-Drill 3/16" pilot hole for 5/16" lag.



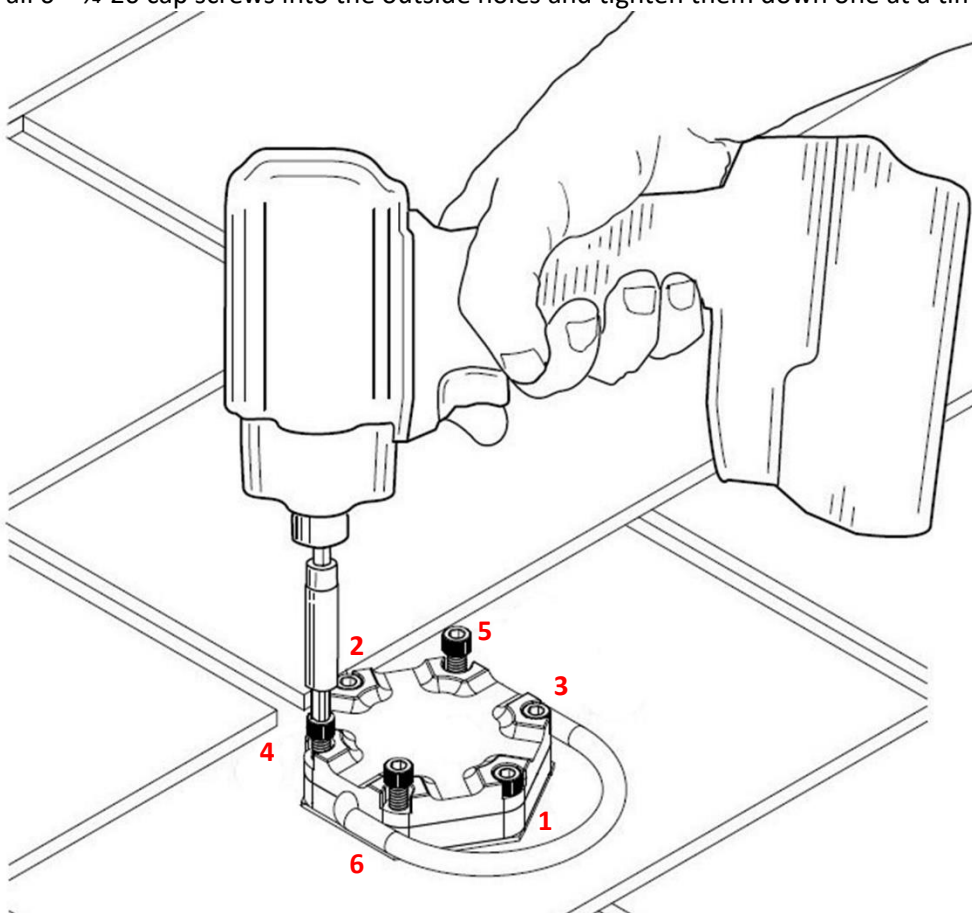
8. Using a 1/2" socket, tighten down the lag bolts in the pilot drilled holes until the base of the Permanent roof anchor is seated to the roof.
- a. Do not overtighten as you can warp the base.
 - b. Do not under tighten as the base should not move once tightened down.



9. Lay the D-ring into the horizontal slot in the base and press the lid over the D-ring and base



10. Insert all 6 – ¼-20 cap screws into the outside holes and tighten them down one at a time in a star pattern



11. Give the roof anchor a test pull to insure that it is secured to the roof and if so, you are good to go.

